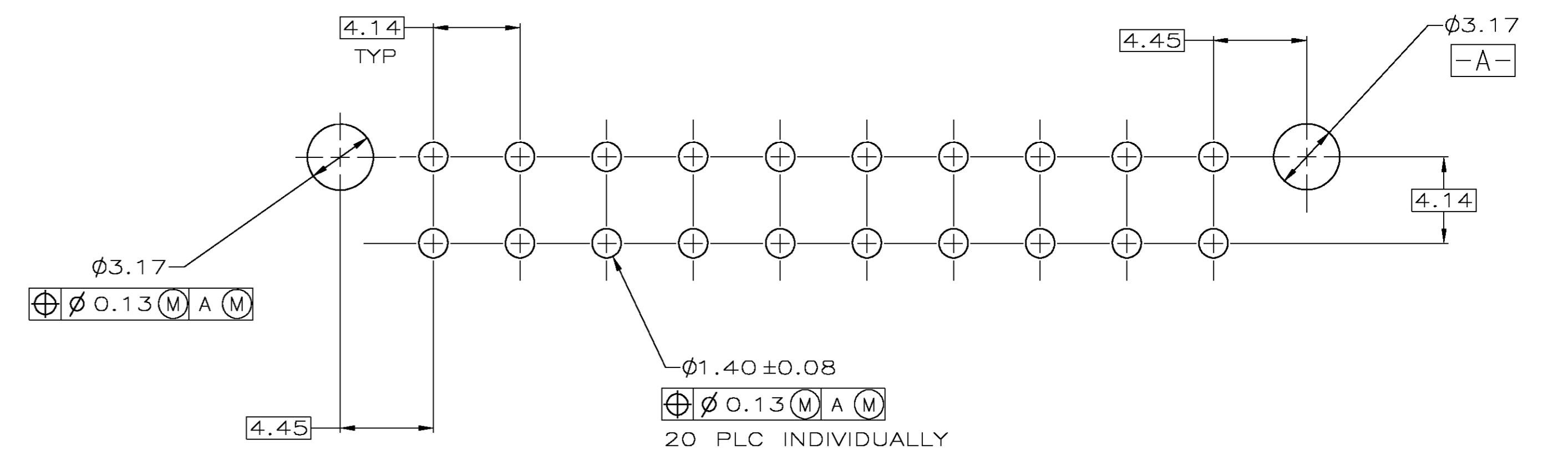
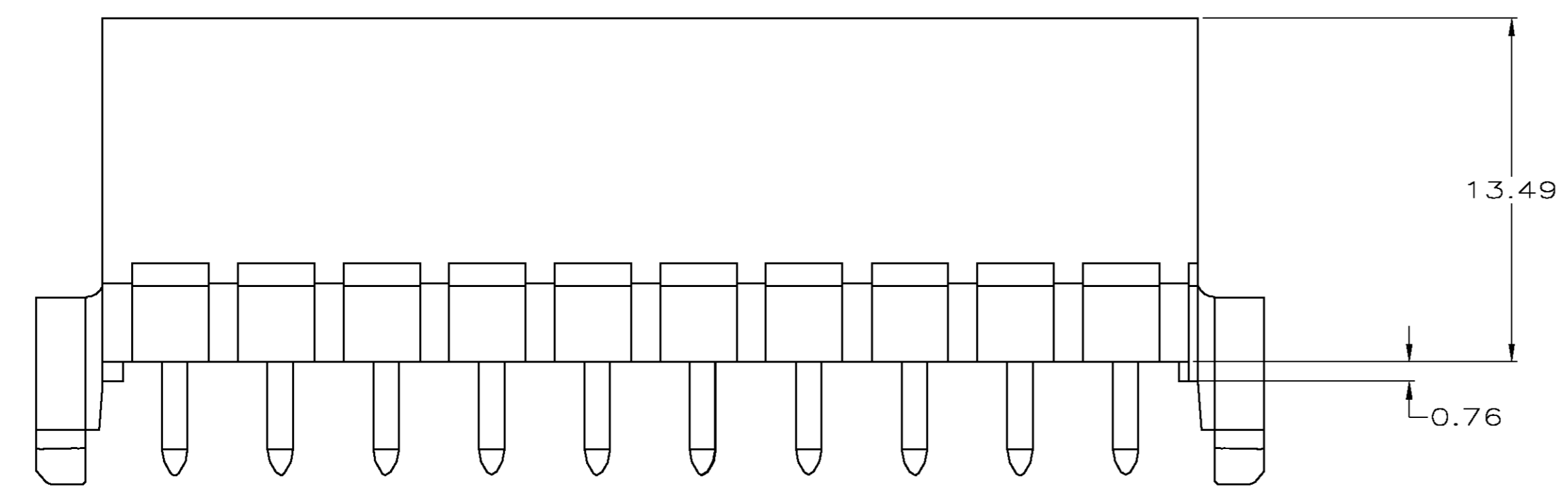
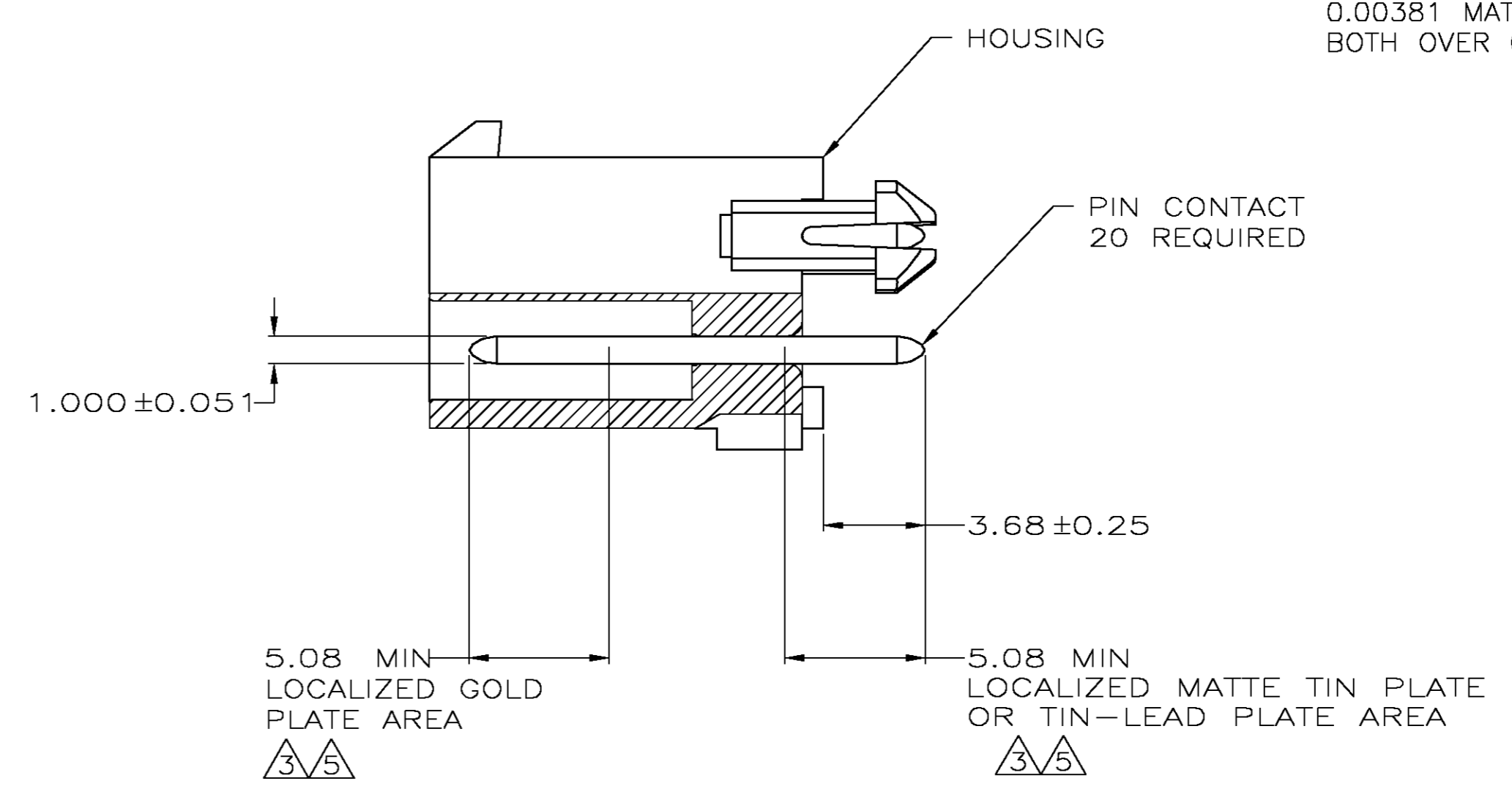
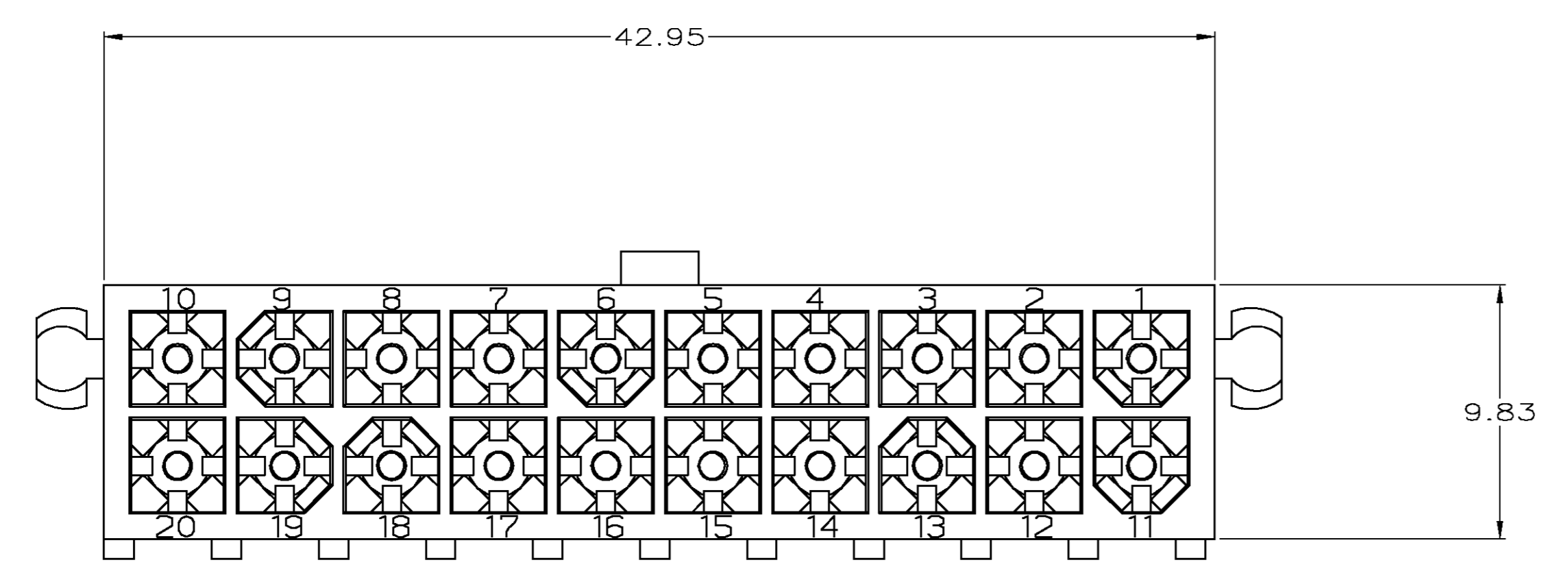
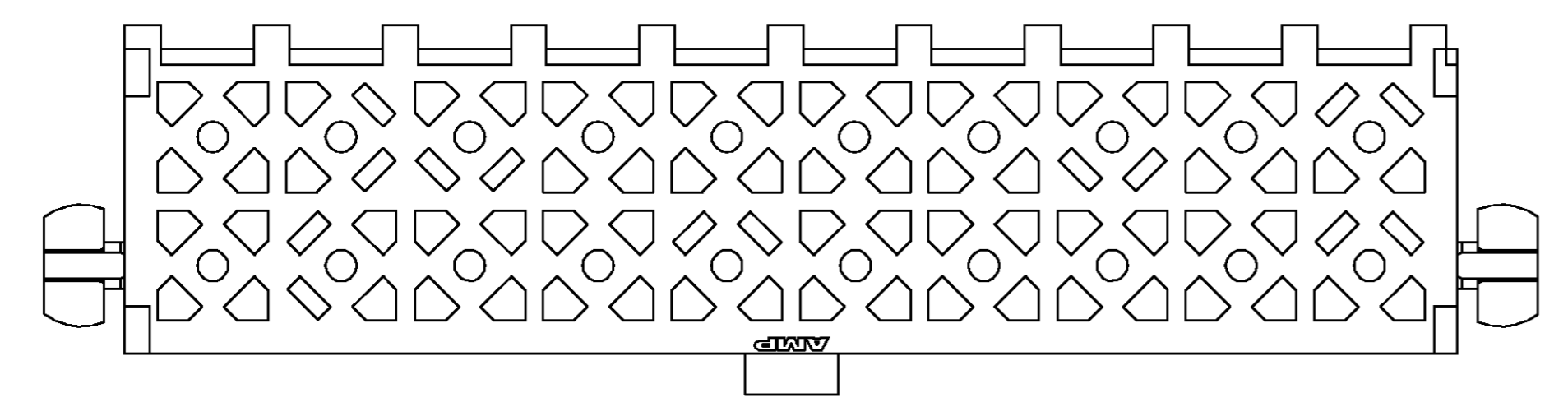


- PINS TO COMPLY WITH AMP SOLDERABILITY SPEC. 108-11-3.
- 0.00381 MIN MATTE TIN LEAD OVER 0.00127 MIN NICKEL.
- 0.00076 MIN GOLD PLATE IN THE LOCALIZED PLATE AREA, 0.00381 MATTE TIN LEAD IN THE LOCALIZED PLATE AREA, BOTH OVER 0.00127 MIN NICKEL.
- 0.00381 MIN MATTE TIN OVER 0.00127 MIN NICKEL.
- 0.00076 MIN GOLD PLATE IN THE LOCALIZED PLATE AREA, 0.00381 MATTE TIN IN THE LOCALIZED PLATE AREA, BOTH OVER 0.00127 MIN NICKEL.



RECOMMENDED MOUNTING HOLE PATTERN FOR 1.57 THICK P.C. BOARD



BRASS, GOLD	NYLON, 94V-0, WHITE	1-794070-1
BRASS, TIN	NYLON, 94V-0, WHITE	1-794070-0
BRASS, GOLD	NYLON, 94V-0, WHITE	794070-2
BRASS, TIN LEAD	NYLON, 94V-0, WHITE	794070-1
PIN CONTACT MATERIAL AND FINISH	HOUSING MATERIAL AND COLOR	PART NUMBER

THIS DRAWING IS A CONTROLLED DOCUMENT.

DRN: K. WHITAKER 6-12-95	Tyco Electronics Corporation Harrisburg, Pa 17105-3608
CHK: R. SWING 6-12-95	
APPR: R. ORSTAD 6-13-95	NAME: R. ORSTAD
DIMENSIONS: mm TOLERANCES UNLESS OTHERWISE SPECIFIED: 0 PLC ± - 1 PLC ± - 2 PLC ± 0.13 3 PLC ± - 4 PLC ± - ANGLES ± - FINISH SEE TABLE	
MATERIAL: SEE TABLE WEIGHT: - CUSTOMER DRAWING	
PRODUCT SPEC: - APPLICATION SPEC: - SIZE: A1 CAGE CODE: 00779 DRAWING NO: 794070	RESTRICTED TO: - SCALE: 5:1 SHEET: 1 OF 1 REV: D